



RENAULT TRUCKS MASTER 2019 ACCESSORIES



RENAULT TRUCKS

99, Route de Lyon
69806 Saint-Priest Cedex
France
Tel.+33 (0)4 69 09 60 00

We recommend Renault Trucks Oils.

We recommend Renault Trucks Oils.
Dimensions and specifications are given for guidance only.
The manufacturer reserves the right to change them without
prior warning. Renault Trucks SAS with a capital of €50,000,000 -
954 506 077 RCS Lyon



Intertek



Intertek

renault-trucks.en

CONTENTS

CARRYING AND TRANSPORTATION

TOWBARS
ROOF BARS
PLATFORM
LADDER
ROOF RACK
LADDER CARRIER
PIPE HOLDER - ON ROOF BARS

COMFORT AND PROTECTION

LOADING AREA LAYOUT
DEFLECTORS
SEAT COVERS
EXTERIOR PROTECTION
BELT PROTECTOR
MATS
LIFE ON BOARD
GLARE SHIELD
GLAZING

SAFETY

DRIVING AID
ANTI-THEFT AND SURVEILLANCE
SNOW CHAINS
EMERGENCIES AND SIGNALLING

MULTIMEDIA

AUDIO
TELEPHONES
VIDEO

DESIGN AND CUSTOMISATION

EXTERIOR DESIGN
WHEEL TRIMS
WHEEL RIMS AND ANT-THEFT WHEEL RIMS
LOAD SILL

AFTER-SALES OPTIONAL EXTRAS

P 04

P 06
P 08
P 09
P 10
P 10
P 11
P 11

P 12

P 14
P 17
P 18
P 21
P 21
P 22
P 22
P 23
P 23

P 24

P 26
P 27
P 28
P 28

P 30

P 32
P 32
P 33

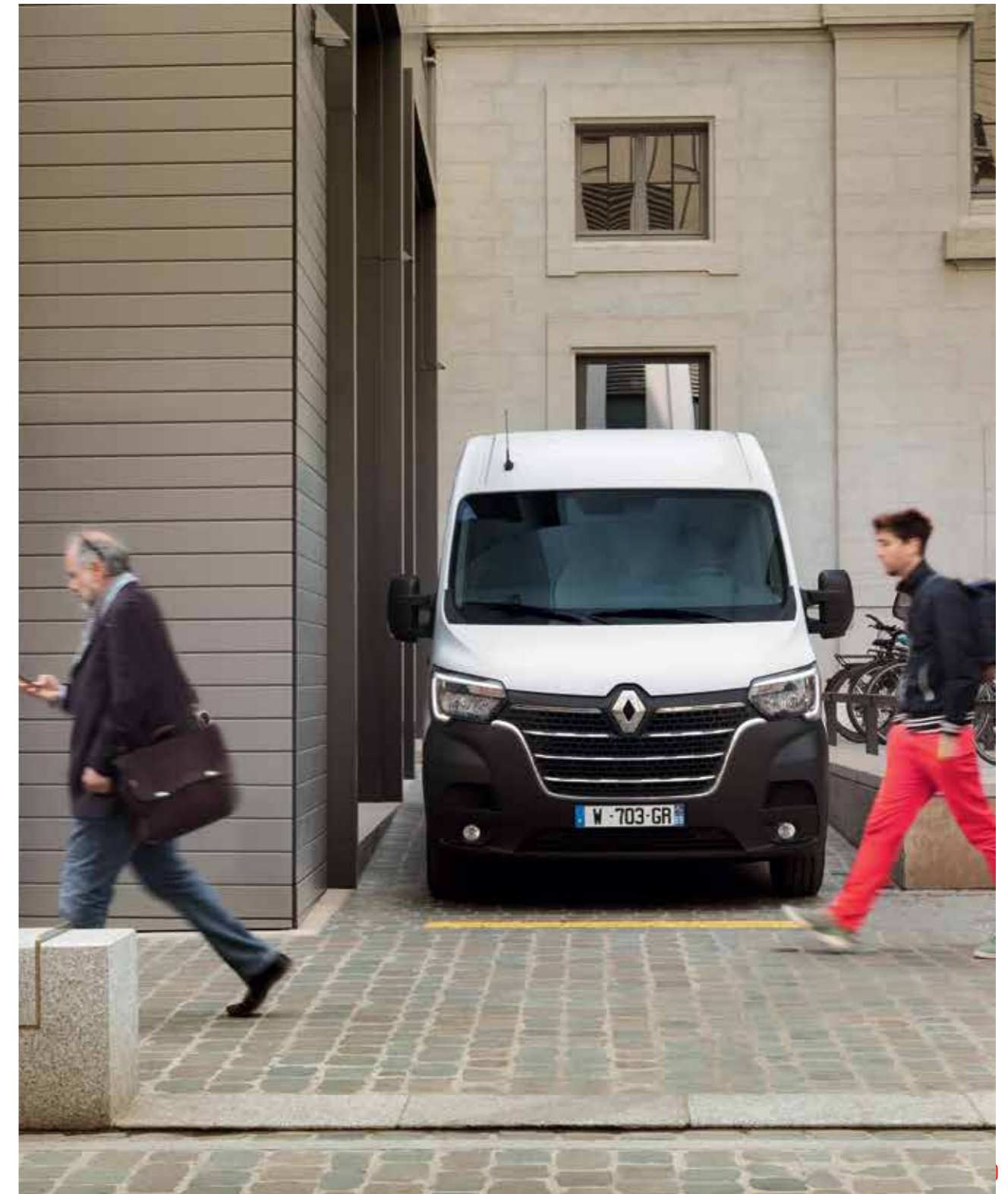
P 34

P 36
P 36
P 37
P 37

P 38

TAKE CARE OF YOURSELF!

- Make your daily life simpler - enjoy every moment and live with peace of mind.
- Renault Trucks accessories, specially designed for your vehicle, offer you a unique journey each day. More practical, safer and easier to use, our optional extras make your life easier and are at your service.
- Get ready to discover all the options available for professional usage and family getaways alike.



**CARRYING AND
TRANSPORTATION:
MAKE YOUR WORK EASIER!**



TOWBARS

Safe towing or carrying for trailers, boats, caravans, professional equipment, bike-racks, etc. Perfect compatibility with your Renault Trucks Master guaranteed.

Standard towbar



Towbar for standard van, twin rear wheel drive	82 01 288 616
Standard towbar for twin rear wheel drive chassis cab	82 01 288 617
Standard towbar Chassis Cab front-wheel and rear-wheel drive single wheels	82 01 288 615
Towbar for standard van, single rear wheel drive	82 01 288 614
Towbar for standard van, single front wheel drive	82 01 710 498
Monobloc ball joint	77 01 402 470

2 hole ball joint for standard towbar Bolts not included. Essential for towbars supplied without a ball. Stress-free attachment of a trailer or a caravan to the vehicle.

Coupling yoke



4-hole coupling yoke	77 11 419 307
----------------------	---------------

For safely towing a ring trailer or a trailer with a ball joint unit.

Hook



Hook - 4 holes	77 01 408 016
For towing professional equipment in safety.	
2-hole yellow combination hook	77 11 421 985
For towing professional equipment in safety.	
4-hole yellow combination hook	77 01 408 018

Safely tow or carry any professional or personal equipment. Perfect compatibility with the vehicle guaranteed. Ideal for heavy use.

Wiring harnesses

High-tech product attached to the towbar used for more than just supplying power. It operates seamlessly with all the onboard systems fitted on the vehicle.



7 pin cab chassis wiring harness	77 11 427 197
7 pin standard towbar twin or single wheel var 60203	
7 pin FWD & RWD van wiring harness	77 11 425 929
7 pin twin wheel standard towbar var 60201	
No ATREM predis. Intended for lighter loads, < 750 kg.	
7 pin FWD & RWD van wiring harness	8201461969
7 pin twin wheel standard towbar var 60203	

13 pin cab chassis wiring harness	77 11 427 198
-----------------------------------	---------------

13 pin standard towbar twin or single wheel var 60203

13 pin cab chassis wiring harness	77 11 425 932
-----------------------------------	---------------

Standard towbar 13 pin twin wheel var 60201 + var 6HR01
Not supplied with dashboard alert showing any faults with towed item. Reversing light extension. For towbars intended to pull significant weight. > 750 kg.

13 pin cab chassis wiring harness	82 01 346 653
-----------------------------------	---------------

Standard towbar 13 pin twin wheel var 60201 + var 6HR02
This includes a unit (electrical box) warning the driver (two flashes on dashboard) of any faults which arise with the towed object. This wiring harness is suitable for FWD cab chassis vehicles and single-wheel RWD vehicles, and for twin wheel cab chassis vehicles. Reversing light extension. For towbars intended to pull significant weight. > 750 kg.

13 pin cab chassis wiring harness	82 01 657 126
-----------------------------------	---------------

Standard towbar 13 pin twin wheel var 60201 + var 6HR03

13 pin FWD & RWD van wiring harness	77 11 425 930
-------------------------------------	---------------

13 pin twin wheel standard towbar var 60201
Without ATREM. predis. Reversing light extension. For towbars intended to pull significant weight. > 750 kg.

13 pin FWD & RWD van wiring harness	74 85 142 500
-------------------------------------	---------------

13 pin twin wheel standard towbar var 60203

TOWBARS

Bolt kit

Bolt kit for ball joint, 4 hole hook and mixed 4 hole hook	77 11 222 095
4 16x40 screw kit to attach 4 hole yoke	
Bolt kit for standard towbar delivered without ball	77 11 427 805
Bolt kit for 2 and 4 hole yokes	77 11 422 283
Bolt kit for 2-hole combination hook.	77 11 422 282

Towbar socket spare base

With contact strip and micro-contacter + rubber seal

7 pin towbar socket spare base	74 85 144 076
13 pin towbar socket spare base	74 85 144 077

ROOF BARS

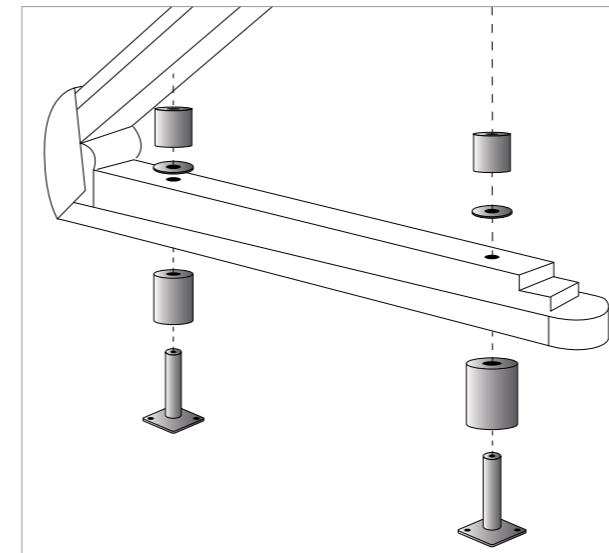
For carrying bike racks, ski racks or roof boxes to increase the vehicle load capacity. Option of attaching 2 or 4 bars. Maximum load allowed for 2 bars: 89.5 kg / for 4 bars: 181.5 kg. Exceed current safety and wear standards.

Roof bars



Roof bar H1	77 11 427 804
Set of 2 transverse roof bars for H1. Useful length: 1554 mm.	
Roof bar H2	77 11 425 820
Set of 2 transverse roof bars for H2. Useful length: 1533 mm.	

Bike/ski rack adaptor



Aluminium roof bar adaptor for bike/ski rack.

77 11 421 178

PLATFORM

Essential for safely using a roof rack without damaging it. Galvanised steel.

Aluminium platform



Platform, L1, van	77 11 425 828
Weight: 8 kg (to be subtracted from the permissible weight on the roof rack). Dimensions: 2362 x 250 mm.	
Platform, L2, van	77 11 425 829
Weight: 11 kg (to be subtracted from the permissible weight on the roof rack). Dimensions: 2958 x 250 mm.	
Platform, L3, van	77 11 425 830
Weight: 13 kg (to be subtracted from the permissible weight on the roof rack). Dimensions: 3502 x 250 mm.	
Platform, L4, van	77 11 425 831
Weight: 14 kg (to be subtracted from the permissible weight on the roof rack). Dimensions: 4148 x 250 mm.	

LADDER

Ladder - Steel



Essential for easy access to the roof rack. Practical, it attaches to the rear door. Galvanised steel. Maximum authorised load: 150 kg. Height: 1890 mm.

Steel ladder H1 Van **77 11 425 826**

Consists of 6 bars.

Steel ladder H2 Van **77 11 425 827**

Consists of 7 bars.

LADDER CARRIER

Rotating ladder carrier



The ErgoRack rotating ladder carrier enables you to carry and handle any type of ladder effortlessly. Easy to install thanks to its compatibility with Renault roof bars, this system is made of light aluminium and is specially designed to avoid back injuries when loading and unloading through the use of its assisted system, reducing human effort required by half. Nude chassis incompatible.

Rotating ladder carrier L1 / L2 **77 11 785 884**

Rotating ladder carrier L3 / L4 **77 11 785 885**



ROOF RACK

For carrying bulky loads safely on the roof of the vehicle. Supplied with rear roller to make loading easier. Attachments at specific anchorage points.

Aluminium roof rack



Roof rack: L1H1 **77 11 425 821**

Max. permitted load on roof rack: 162 kg. Dimensions: 2550 x 1678 mm. Total height: vehicle height + 185 mm.

Roof rack: L1H2 **77 11 425 822**

Max. permitted load on roof rack: 165 kg. Dimensions: 2550 x 1557 mm. Total height: vehicle height + 185 mm.

Roof rack: L2H2 **77 11 425 823**

Max. permitted load on roof rack: 158 kg. Dimensions: 3065 x 1557 mm. Total height: vehicle height + 185 mm.

Roof rack: L3H2 **77 11 425 824**

Max. permitted load on roof rack: 149 kg. Dimensions: 3715 x 1557 mm. Total height: vehicle height + 185 mm.

Roof rack: L4H2 **77 11 425 825**

Max. permitted load on roof rack: 140 kg. Dimensions: 4365 x 1557 mm. Total height: vehicle height + 185 mm.

PIPE HOLDER - ON ROOF BARS

Pipe holder - On roof bars



Pipe holder - On roof bars **77 11 574 510**

Aluminium. Length: 3m. Double opening with lock: effective anti-theft. Payload: 50 kg Attaches directly to the vehicle roof bars. Enabling pipes to be carried safely.

**COMFORT AND PROTECTION:
GET CUSTOM-MADE,
LONG-LASTING PROTECTION.**



LOADING AREA LAYOUT

A combination of different flooring, side panels and wheel arches can be used across the entire range of protection (STANDARD, INNOVATION, PREMIUM).

MASTER INTERIOR PROTECTION RANGE		
STANDARD RANGE	Untreated poplar wood backplate <ul style="list-style-type: none"> Natural untreated poplar surround 8 mm Untreated poplar wood floor and wheel arch backplate 12 mm 	Advantages <ul style="list-style-type: none"> Competitive prices High quality, stable and hard-wearing material Light weight Pleasing finish Recommendation: Normal use in dry conditions.
	Alveolar polypropylene <ul style="list-style-type: none"> Grey alveolar polypropylene surround 5 mm Non-slip grey alveolar polypropylene floor 11 mm Reinforced wheel arches (and floors) using aluminium angles and corners 	Advantages <ul style="list-style-type: none"> 30-50% lighter than birch wood Washable and 100% recyclable Improved durability, scratch-resistant High-quality, pleasing finish Recommendation: Normal use in dry conditions.
PREMIUM RANGE	Coated birch backplate <ul style="list-style-type: none"> Birch surround coated with grey plastic film 5 mm Birch flooring coated with grey non-slip phenolic film 12 mm Reinforced wheel arches (and floors) using aluminium angles and corners 	Advantages <ul style="list-style-type: none"> Greater durability than poplar Surface treatment to withstand the harshest conditions (chemical products) High-quality, pleasing finish Recommendation: Standard to heavy use in dry or wet conditions, non-slip floor surface.

Standard Range



Standard usage in dry conditions. Perfect for carrying heavy loads thanks to the quality of poplar wood. All parts include aluminium protective covers, with reinforced housings and corners.

Poplar wood wheel arches 12 mm
For dual-wheel RWD **77 11 783 636**

Poplar wood wheel arches 12 mm
For single-wheel RWD **77 11 783 635**

Poplar wood wheel arches 12 mm
For FWD **77 11 783 634**

Standard Range (cntd.)

Poplar wood surrounds 8 mm For L1H1 with 1 PLC (SSD)	77 11 780 387	Poplar wood flooring 12 mm For L1 with 1 PLC (SSD)	77 11 783 657
Poplar wood surrounds 8 mm For L1H2 with 1 PLC (SSD)	77 11 780 390	Poplar wood flooring 12 mm For L2 with 1 PLC (SSD)	77 11 783 660
Poplar wood surrounds 8 mm For L2 with 1 PLC (SSD)	77 11 780 393	Poplar wood flooring 12 mm For L3 with 1 PLC (SSD) RWD and dual-wheels	77 11 785 840
Poplar wood surrounds 8 mm For L3 with 1 PLC (SSD) rear-wheel drive	77 11 783 619	Poplar wood flooring 12 mm For L3 with 1 PLC (SSD) RWD and single-wheels	77 11 785 837
Poplar wood surrounds 8 mm For L3 with 1 PLC (SSD) traction and single-wheels	77 11 783 616	Poplar wood flooring 12 mm For L3 with 1 PLC (SSD) FWD and single-wheels	77 11 785 834
Poplar wood surrounds 8 mm For L4 with 1 PLC (SSD) rear-wheel drive	77 11 783 625	Poplar wood flooring 12 mm For L4 with 1 PLC (SSD) RWD and dual-wheels	77 11 785 846
		Poplar wood flooring 12 mm For L4 with 1 PLC (SSD) RWD and single-wheels	77 11 785 843

Innovation Range



Standard or even heavy use in dry or wet conditions. Perfect for electric vehicles and jobs that need a washable, damp-resistant trim. Ideal for maximising the load space (30-65% lighter than wood). All parts include aluminium protective covers, with reinforced housings and corners.

Non-slip wheel arches 11 mm
For FWD **77 11 783 441**

Non-slip surround 5 mm
For L1H1 with 1 PLC (SSD) **77 11 785 511**

Non-slip surround 5 mm
For L2 with 1 PLC (SSD) **77 11 785 517**

Non-slip floor 11 mm
For L1 with 1 PLC (SSD) **77 11 780 283**

Non-slip floor 11 mm
For L2 with 1 PLC (SSD) **77 11 780 286**

LOADING AREA LAYOUT

Grey Premium Range



Standard or even heavy use in dry or wet conditions. Birch wood is denser, more rigid and more hard-wearing than other materials. Less prone to scratching and capable of withstanding harsh conditions, including chemical products. Wash gently with a damp cloth. Improved durability over time. All parts include aluminium protective covers, with reinforced housings and corners.

Birch wood non-slip wheel arches 12 mm For dual-wheel rear-wheel drive **77 11 788 700**

Birch wood non-slip wheel arches 12 mm For single-wheel rear-wheel drive **77 11 788 699**

Birch wood non-slip wheel arches 12 mm For front-wheel drive **77 11 788 698**

Birch wood surround 5 mm For L1H1 with 1 PLC (SSD) **77 11 788 671**

Birch wood surround 5 mm For L1H1 with 2 PLC (SSD) **77 11 788 672**

Birch wood surround 5 mm For L1H1 without PLC (SSD) **77 11 788 670**

Birch wood surround 5 mm For L1H2 with 1 PLC (SSD) **77 11 788 674**

Birch wood surround 5 mm For L1H2 with 2 PLC (SSD) **77 11 788 675**

Birch wood surround 5 mm For L1H2 without PLC (SSD) **77 11 788 673**

Birch wood surround 5 mm For L2 with 1 PLC (SSD) **77 11 788 677**

Birch wood surround 5 mm For L2 with 2 PLC (SSD) **77 11 788 678**

Birch wood surround 5 mm For L2 without PLC **77 11 788 676**

Birch wood surround 5 mm For L3 with 1 PLC (SSD) rear-wheel drive **77 11 788 683**

Birch wood surround 5 mm For L3 with 1 PLC (SSD) FWD and single-wheels **77 11 788 680**

Birch wood surround 5 mm For L3 with 2 PLC (SSD) rear-wheel drive **77 11 788 684**

Birch wood surround 5 mm For L3 with 2 PLC (SSD) traction and single-wheels **77 11 788 681**

Birch wood surround 5 mm For L3 without PLC (SSD) rear-wheel drive **77 11 788 682**

Birch wood surround 5 mm For L3 without PLC (SSD) FWD and single-wheels **77 11 788 679**

Birch wood surround 5 mm For L4 with 1 PLC (SSD) rear-wheel drive **77 11 788 689**

Birch wood surround 5 mm For L4 with 2 PLC (SSD) rear-wheel drive **77 11 788 690**

Birch wood surround 5 mm For L4 without PLC (SSD) rear-wheel drive **77 11 788 688**

Birch wood non-slip flooring 12 mm For L1 with PLC (SSD) **77 11 783 543**

Birch wood non-slip flooring 12 mm For L1 with 2 PLC (SSD) **77 11 783 544**

Birch wood non-slip flooring 12 mm For L1 without PLC (SSD) **77 11 783 542**

Birch wood non-slip flooring 12 mm For L2 with PLC (SSD) **77 11 783 546**

Birch wood non-slip flooring 12 mm For L2 with 2 PLC (SSD) **77 11 783 547**

Birch wood non-slip flooring 12 mm For L2 without PLC **77 11 783 545**

Birch wood non-slip floor 12 mm For L3 with 1 PLC (SSD) RWD and double-wheels **77 11 783 555**

Birch wood non-slip floor 12 mm For L3 with 1 PLC (SSD) RWD and single-wheels **77 11 783 552**

Birch wood non-slip floor 12 mm For L3 with 1 PLC (SSD) FWD and single-wheels **77 11 783 549**

Birch wood non-slip floor 12 mm For L3 with 2 PLC (SSD) RWD and double-wheels **77 11 783 556**

Birch wood non-slip floor 12 mm For L3 with 2 PLC (SSD) RWD and single-wheels **77 11 783 553**

Birch wood non-slip floor 12 mm For L3 with 2 PLC (SSD) FWD and single-wheels **77 11 783 550**

Birch wood non-slip floor 12 mm For L3 without PLC (SSD) RWD and double-wheels **77 11 783 554**

Birch wood non-slip floor 12 mm For L3 without PLC (SSD) RWD and single-wheels **77 11 783 551**

Birch wood non-slip floor 12 mm For L3 without PLC (SSD) FWD and single-wheels **77 11 783 548**

Birch wood non-slip floor 12 mm For L4 with 1 PLC (SSD) RWD and double-wheels **77 11 783 561**

Birch wood non-slip floor 12 mm For L4 with 1 PLC (SSD) RWD and single-wheels **77 11 783 558**

Birch wood non-slip floor 12 mm For L4 with 2 PLC (SSD) RWD and double-wheels **77 11 783 562**

Birch wood non-slip floor 12 mm For L4 with 2 PLC (SSD) RWD and single-wheels **77 11 783 559**

Birch wood non-slip floor 12 mm For L4 without PLC (SSD) RWD and double-wheels **77 11 783 560**

Birch wood non-slip floor 12 mm For L4 without PLC (SSD) RWD and single-wheels **77 11 783 557**

DEFLECTORS

Door deflector



Set of door deflectors (right and left) **74 85 130 660**

Set of door deflectors (1 right, 1 left). Material: Smoked brown methacrylate, thickness 3 mm. Mounted in the window rebate.

Roof deflector



Three-dimensional fixed roof deflector **74 85 129 210**

Material: stratified polyester, 4 mm thick; Surface: Glacier white gelcoat 0389; Deflector height: 800 mm.

SEAT COVERS

Red Edition custom covers



Material: black polyester Jeans centre on 5 mm polyurethane foam; black imitation leather sides on 3 mm polyurethane foam; black polyester mesh surround on 2 mm polyurethane foam. Red stitch finish. Red Edition embroidered logo.

RED EDITION driver seat cover without side airbag	74 85 155 759
RED EDITION driver seat cover without pneumatic side airbag	74 85 155 761
RED EDITION driver seat cover with side airbag	74 85 155 762
RED EDITION passenger seat cover without side airbag	74 85 155 763
RED EDITION passenger seat cover with side airbag	74 85 155 764
RED EDITION bench seat 1/1 cover	74 85 155 765
RED EDITION bench seat 2 backrests 1 cushion base cover	74 85 155 766
RED EDITION bench seat 2 backrests 2 cushion bases cover	74 85 155 989

Aquila custom covers



Comfortable and hard-wearing, these covers provide effective protection for the vehicle's original trim. Compatible with side airbags. Quick fitting. Machine washable. Exceed current safety and wear standards.

Aquila custom covers - 2 separate front seats + 2 headrests	77 11 426 009
Aquila custom covers - Suspended driver seat + bench seat 1/1 fixed seat base and folding central backrest + 2 headrests	82 01 241 941
Aquila custom covers - driver seat + 1/1 bench seat with 2 seats and 2 backrests, separate + 2 headrests	77 11 427 960
Aquila custom covers - Suspended driver seat + passenger bench seat 1/1 + 3 headrests	77 11 429 005
Aquila custom covers - Suspended driver seat + passenger seat + 2 headrests	77 11 429 004
Aquila custom covers - driver seat + fixed bench seat + 3 headrests	77 11 427 227
Aquila custom covers - driver seat + 1/1 bench seat with 2 seats and 2 backrests, separate, and folding central backrest + 2 headrests	77 11 427 958

Superaquila custom covers



Comfortable and hard-wearing, these covers provide effective protection for the vehicle's original trim. Polyurethane coated fabric covers. Compatible with side airbags. Quick fitting. Machine washable. Exceed current safety and wear standards.

Superaquila custom covers - driver seat + fixed bench seat + 3 headrests	77 11 427 226
Superaquila custom covers - driver seat + 1/1 bench seat with 2 seats and 2 backrests, separate, and folding central backrest + 2 headrests	77 11 427 959
Superaquila custom covers - 2 separate front seats + 2 headrests	77 11 427 225
Superaquila custom covers - driver seat + 1/1 bench seat with 2 seats and 2 backrests, separate + 2 headrests	77 11 427 961

Universal seat covers

Universal Blue Jeans covers for front driver or passenger seats	74 85 130 419
Universal Blue Jeans covers for 2-seater bench seat	74 85 130 420
Universal Black Jeans covers for front driver or passenger seats	74 85 130 421
Universal Black Jeans covers for 2-seater bench seat	74 85 130 422

SEAT COVERS

Jean Force custom covers



Material: Carbon black jeans, red topstitching, polyurethane coated fabric side reinforcement, 100% polyester on polyurethane foam.

Jean Force custom covers for 4 seater + 4 headrest bench seat **74 85 130 364**

Jean Force custom covers for driver seat + 2 seat base bench seat, 2 backrests **74 85 130 363**

Jean Force custom covers for driver seat + 1 seat base bench seat, 2 backrests **74 85 130 362**

Jean Force custom covers for driver seat + 1 seat base bench seat, 1 backrest **74 85 130 361**

Jean Force custom covers for driver seat + passenger seat **74 85 130 360**

Jean Force suspended custom covers for driver seat + 2 seat base bench seat, 2 backrests **74 85 130 366**

Jean Force suspended custom covers for driver seat + 1 seat base bench seat, 2 backrests **74 85 130 365**

Simileo custom covers



Two-tone advanced polyurethane coated fabric seat covers (soft, hard-wearing imitation leather)

Simileo custom covers for 4 seater + 4 headrest bench seat **74 85 130 371**

Simileo custom covers for driver seat + 2 seat base bench seat, 2 backrests **74 85 124 692**

Simileo custom covers for driver seat + 1 seat base bench seat, 2 backrests **74 85 124 691**

Simileo custom covers for driver seat + passenger seat **74 85 124 689**

Simileo custom covers for driver seat + 1 seat base bench seat, 1 backrest **74 85 124 690**

Simileo suspended custom covers for driver seat + 2 seat base bench seat, 2 backrests **74 85 130 373**

Simileo suspended custom covers for driver seat + 1 seat base bench seat, 2 backrests **74 85 130 372**

EXTERIOR PROTECTION

Mud flaps



Mud flaps - Rear (Rear-wheel drive - twin wheels) **74 85 123 772**

Mud flaps - Rear (Rear-wheel drive - single wheels) **74 85 124 645**

Rear mud flaps, front wheel drive, single wheel **74 85 123 769**

Mud flaps - Front **74 85 123 738**

Material: black PVC, soft thermoplastic. Sold in packs of two. Special design, fits perfectly with the lines of the vehicle.

Wheel flares

Wheel flares **82 01 726 818**

Rear foot panel



Rear foot panel **77 11 785 881**

The rear foot panel is designed to assist with accessing the loading area. Made of stainless steel, it can loads of up to 150 kg, guaranteeing durability and the ability withstand all weather conditions. Easy to install, it fits a standard towing crossmember.

Compatible with towball, towing hook, combined hook and all towing devices fitted on a standard towing crossmember. Not compatible with RDSO towbar crossmembers.

BELT PROTECTOR

Belt protector



RED EDITION belt protector **74 85 155 768**

Material: Polyester black jeans on polyurethane foam 3 mm, black/red styled finish. Flash closing system. Red Edition sprayed logo. Length 25 cm.



MATS

Give additional protection to your vehicle. Customized and personalized, they are quickly attached using the two safety clips provided. They are subjected to very demanding tests, guaranteeing the highest level of quality, safety and durability.

Rubber mat



Novestra rubber floor mats **77 11 426 008**

Set of 2 mats (1 driver, 1 passenger). Waterproof and easy to maintain, fastening clips. Vehicle name branding driver side.

Fabric mats



Custom-made, specially designed for the vehicle. Fits easily on two safety clips and does not interfere with the pedals. Easy to maintain. Heat-sealed 100% polypropylene carpet and heel mat. 1 piece front.

Right-hand drive fabric mat **77 11 427 552**

Left-hand drive fabric mat **77 11 426 007**

RED EDITION carpet



RED EDITION front carpet **74 85 155 767**

Material: polypropylene needleloom carpet, 1200 gr/m², height 7 mm; non-slip SBR back, 1700 gr/m², height 5 mm. Black braid stitch finish. Fastening clips. Red Edition embroidered logo.



LIFE ON BOARD

LED light for dome lamp / Additional light bar



LED light for dome lamp **82 01 543 589**

LED bulbs for dome light.
LED power: 7.2 W / linear metre.
Lights up the vehicle loading area.

Additional light bar **82 01 529 567**

Set of 2 bars for additional load area lighting. Length: 1.5m. Power: 7.2 W/linear metre. LED bulbs for interior lights not included.

Ice cooler



Ice cooler **77 11 431 405**

Keeps drinks and snacks hot or cold. Very easy to carry - also useful for picnics.
Capacity: 24 L. Weight: 4.3 kg. Dimensions: L42 x H42 x W30.
Power: 12 volt DC power socket in the vehicle or traditional 230 volt AC sockets. Temperature: up to 18 degrees below ambient temperature.

Hanger on headrest

Hanger on headrest **77 11 578 137**

Smoking kit

Smoking kit **82 01 375 535**

Ashtray and cigarette lighter. Essential for keeping your vehicle clean. This includes an ashtray and a cigarette lighter.

GLARE SHIELD

Glare shield

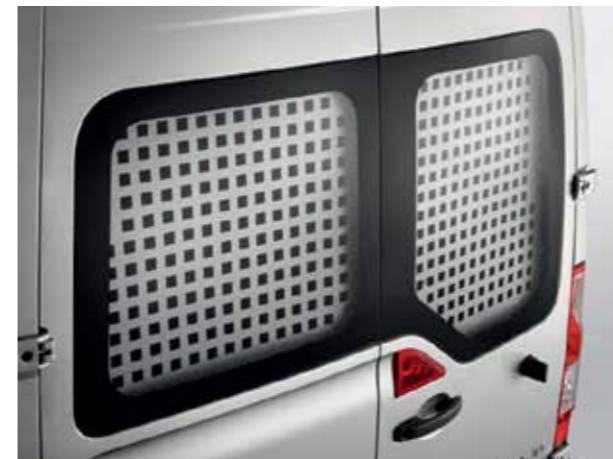


Glare shield **74 85 130 330**

Translucent smoked brown methacrylate material. 6 mm thick. This accessory cannot be used with the rain and brightness sensor variants.

GLAZING

Glass protection grilles



Solid protection for goods in transit, keeping the driver's field of view clear.

Glass protection grille for right side door, van L2 / L3 / L4 **77 11 426 013**

Glass protection grille for left side door, van L1 **77 11 428 277**

Glass protection grilles for rear doors H1 / H2 / H3 **77 11 427 945**

**SAFETY:
TRAVEL ANYWHERE
IN FULL PEACE OF MIND.**



DRIVING AID

Hands-free kit



Supertooth Crystal portable hands-free kit **77 11 574 999**

Make and receive phone calls keeping your hands on the steering wheel for enhanced safety. This equipment is compatible with most mobile phones currently available. Attaches to the sun visor. With lithium ion battery rechargeable in the cigarette lighter. Integrated speakers.

Adapter for Parrot hands-free kit (vehicle fitted with a car radio) **82 01 545 440**

Reversing camera kit



Reversing camera - With upper storage **82 01 442 769**

Reversing camera - Without upper storage **82 01 442 771**

Reversing camera



View the area behind your vehicle with reverse gear engaged.

Reversing camera **82 01 673 459**

Integrated reversing camera with extra screen **77 11 943 339**

Embedded in the 3rd brake light, this reversing camera is easy to install and is perfectly adapted to the vehicle. 7" TFT-LCD 2CHs dashboard screen, easy to install on the dashboard.

Reversing sensors



Reversing sensors **82 01 373 014**

4 reversing sensors. Detects any obstacle up to 1.2 m to the rear of the vehicle when reverse gear is engaged. Easy manoeuvring - guarantees detection of obstacles your vehicle may potentially hit.

ANTI-THEFT AND SURVEILLANCE

Alarms



Right-hand drive alarm **82 01 324 534**

Left-hand drive alarm **82 01 324 145**

Alarm wiring kit - For vehicles not already fitted **82 01 440 364**

Lowers the threat of vehicle theft and the theft of items inside the passenger compartment. Enables an alarm to be fitted with the PREALA option is not installed on the vehicle during manufacture. Includes the necessary wiring and the siren.

Anti-lift module for alarm **77 11 424 116**

Fits all Renault alarms since Laguna III. Protects against the risk of vehicle lifting.

Anti-theft



Mechanical anti-theft - OBD Protector **77 11 782 488**

Mechanical anti-theft against electronic theft. Mutes the passenger compartment diagnostics (OBD socket) to prevent any malicious communications. Compatible with all brands. No subscription. Installs directly onto the OBD socket in under 5 minutes. Single attachment screw. Not affected by GSM jammers.

Mechanical steering-wheel mounted anti-theft **77 11 431 429**

Deters thieves from targeting your vehicle. Cost effective solution to protect your vehicle against thieves. Fitted with a flashing LED for greater visibility. Reinforced steel anti-theft device attached to the steering wheel. Fitted with an anti-drill high security lock. Supplied with two keys.

ArmaDLock anti-theft



ArmaDLock multipoint 1 point side doors **77 11 786 133**

External locking system for side doors.

ArmaDLock multipoint 3 point rear doors **77 11 786 134**

External locking system for rear doors.

ArmaDLock multipoint 3 point full side and rear door kit **77 11 786 135**

Kit includes a 1 point kit for PLC and a 3 point it for PBAR. Stronger protection for commercial vehicles and their loads, using three-directional locks.

ArmaDLock universal side or rear doors **77 11 786 143**

External locking system for all types of doors.

ArmaDLock universal full side and rear door kit **77 11 786 142**

External locking system for side and rear doors.



SNOW CHAINS

Snow chains - Snow socks



Premium Grip snow chains

Premium Grip snow chains - Size 100 - 215/65R16 **77 11 780 258**

Premium Grip snow chains - Size 120 - 195/75R16 and 225/65R16 **77 11 780 263**

Set of 2 steel snow chains. Tension: automatic Sold with: plastic gloves, fitting instructions. TÜV accredited. Easy to use and very quick to fit, these chains guarantee safety, grip and driver comfort in the harshest driving conditions, including on ice.

Standard snow chains

Standard snow chains - 13 mm - Size 115 - 195/75R16 **77 11 579 035**

Standard snow chains - 13 mm - Size 116 - 215/65R16 **77 11 579 036**

Snow socks

Snow socks - Size 83 - 215/65R16 **77 11 578 655**

Set of 2 high-strength textile snow chains. Quick dry, washable in water. Fitting time for 2 chains: approx. 1 minute 30 seconds. Light and quicker to fit than traditional snow chains, these socks hold the vehicle to the road in snowy weather.



EMERGENCIES AND SIGNALLING

Lamp housing

Lamp housing **77 11 427 944**

Fire extinguisher



2 kg fire extinguisher with pressure gauge **77 11 419 388**

Fitted with a pressure gauge to verify operability. Stored within reach of the driver for quick usage when necessary. Meets European standards.

Extinguisher mounting bracket **77 11 426 006**

Holds a 1 or 2 kg extinguisher. Crash-tested fixing foot meeting European standards.

Safety kit



Safety kit **77 11 780 759**

Includes 1 hi-viz vest, 1 triangle warning sign and 1 first-aid kit.

Triangle and flashing lights kit



TriFlash triangles and SESALY flashing lights are designed for emergency response vehicles, works vehicles and service vehicles on public highways which are required to have suitable, regulatory signage. The triangle is made of light aluminium and polyamide with new generation 3D LED lights for optimum visibility and service life. Easy to install using a special adhesive.

Triflash triangle & flashing lights kit (electric lifting) **77 11 940 270**

This kit is made up of a Class 2 TriFlash 500, 2 flashing lights and an electric lifting system.

Triflash triangle & flashing lights kit (manual lifting) **77 11 940 265**

This kit is made up of a Class 2 TriFlash 500, 2 flashing lights and a manual lifting system.

Safety stickers



Reflective strips meeting European standards custom-designed to match the vehicle.

Safety stickers for company vehicle H1 - Class A **82 01 574 369**

Class A reflective strips. For H1.

Safety stickers for company vehicle H2/H3 - Class A **82 01 574 375**

Class A reflective strips. For H2/H3.

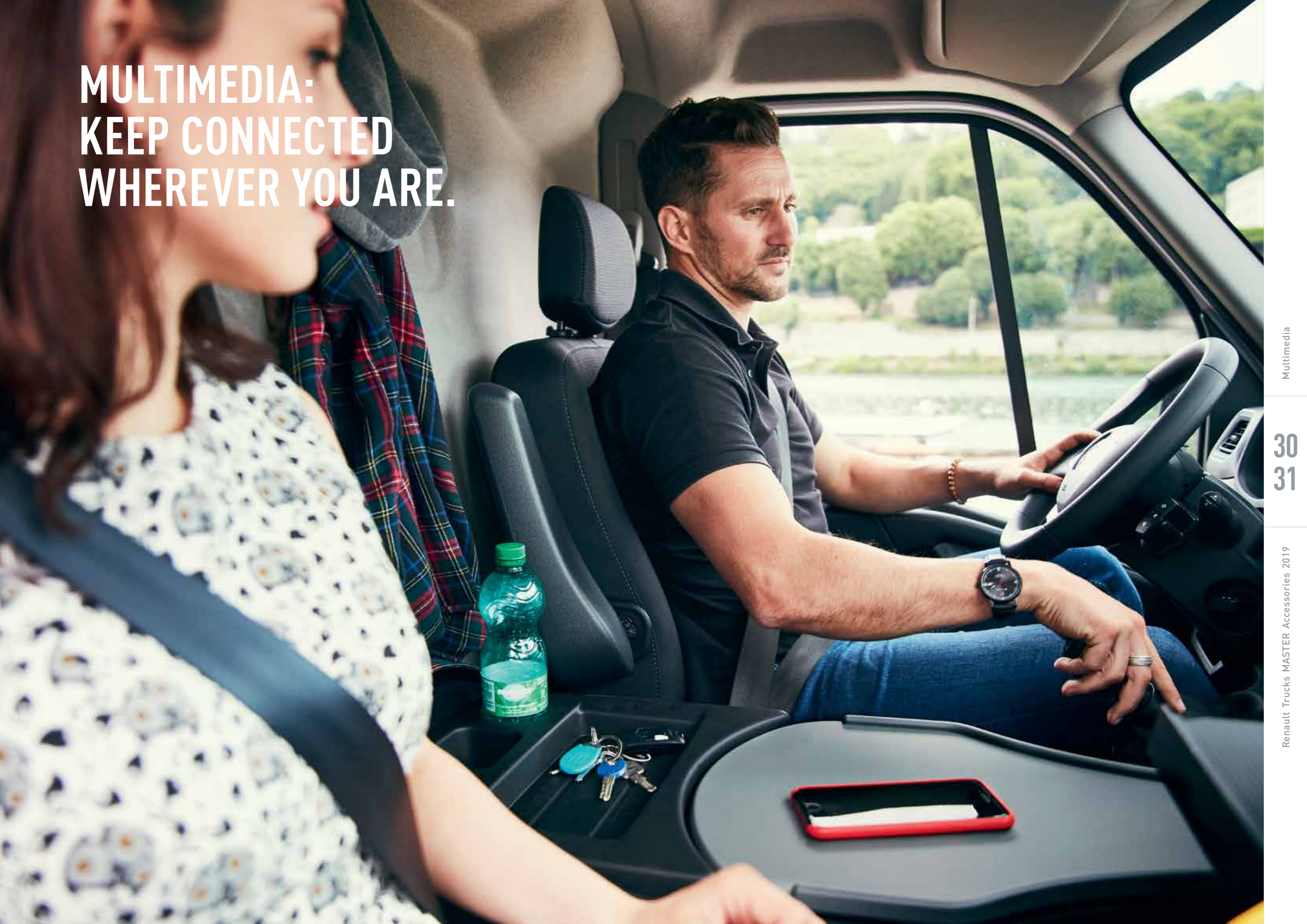
Safety stickers for company vehicle H1 - Class B **82 01 574 382**

Class B reflective strips. For H1.

Safety stickers for company vehicle H2/H3 - Class B **82 01 574 390**

Class B reflective strips.

**MULTIMEDIA:
KEEP CONNECTED
WHEREVER YOU ARE.**



AUDIO

Loudspeakers



Focal Music Drive **77 11 575 880**

Set of 2 loudspeakers. 2-way coaxial kit. 165 mm diameter. Front and/or rear usage, depending on the vehicle.

Loudspeaker pack Focal Music Live 4.0 (2 tweeters, 2 front) **77 11 578 132**

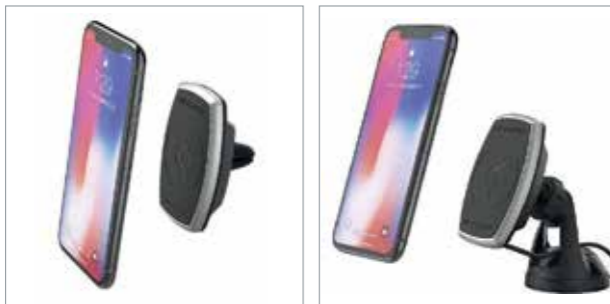
Set of 4 loudspeakers 2 separate way (dash-mounted tweeters). Improved sound staging. Listen Live. Audio accuracy and precision. Woofer: 165 mm. Aluminium inverse dome tweeter. Integrated filter: 6 dB/octave (woofer) and 18 dB/octave (tweeter). Max power: 120 W. Sensitivity: 92.7 dB. Frequency response: 60 Hz - 28 kHz.

Loudspeaker pack Focal Music Premium 4.1 (Live Pack and box) **77 11 578 133**

Set of 5 loudspeakers (2 dash-mounted tweeters, 2 front speakers, 1 subwoofer). Optimised sound staging and power handling. Listen Premium HiFi. Kit includes: Focal Music Live IFR165-4 + 1 subwoofer. Small-size amplified subwoofer (H7xL34xW25). 20cm bass loudspeaker. 2 way front amplifier. Frequency response: 45 Hz - 28 Hz.

TELEPHONES

Telephone holder



Smartphone holder **77 11 573 088**

Can hold any type of smartphone, for enhanced safety. Compatible with all mobile phone and PDA models.

Portable magnetic vent-mounted smartphone holder **77 11 784 774**

Its magnetic system allows you to quickly mount your smartphone on your vehicle air vents.

Magnetic smartphone holder - suction cup mounted. Induction charger **77 11 940 324**

Magnetic system that enables you to pick up and put down your smartphone easily, using a holder stuck to the dashboard. Recharge your smartphone easily through its base contact on the smartphone holder. Attaches to the dashboard or windscreen.

Portable smartphone holder - On the dashboard - Magnetic **77 11 784 775**

Its magnetic system allows you to quickly mount your smartphone on your vehicle air vents.

Portable smartphone induction holder - on air vent - magnetic **77 11 940 323**

Magnetic system that enables you to attach your smartphone to your vehicle air vents easily. Recharge your smartphone easily through its base contact on the smartphone holder. Vent attachment.

VIDEO

Dashcam



NEXTBASE DVR112 dashcam **77 11 785 403**

Small onboard camera, easy to use. The compact, refined design is perfectly integrated with the passenger compartment. 30min recording life with integrated battery. 2" screen, LED 4:3. 720p HD resolution. Night vision. 120° viewing angle. Shooting: Forward.

NEXTBASE DVR312GW dashcam **77 11 785 404**

Full HD, Wi-Fi. integrated GPS (find your location via Google Maps). Photo mode. Emergency button (record unexpected events).

Tablet



10" NEXTBASE Go Player rear tablet **77 11 783 363**

Portable DVD player. Screen size: 10.1". Resolution: 1024 x 600 / 230. 5 point capacitive screen. G Sensor. CPU / GPU Quad Core / Android 5.1. Memory 16 GB ROM, 1 GB RAM. WiFi 802.11/g/b/n, Bluetooth 4.0, GPS. Lithium 5000 mAh battery. HDMI socket. Front and rear camera. Integrated microphone. 3.5 mm headphones socket. SD port (micro SD up to 32 GB). USB charger and USB OTG.

NEXTBASE tablet mount **77 11 783 364**

Entertainment for those long trips! Easy to attach to a headrest, this device enables rear passengers to comfortably watch movies on a touch screen.

**DESIGN AND CUSTOMISATION:
CUSTOMIZE THE APPEARANCE
OF YOUR VEHICLE TO ADD
A TOUCH OF STYLE.**



EXTERIOR DESIGN

Foglamps



Foglamps **77 11 427 996**

Improve visibility for drivers and customise the front end of the vehicle.

WHEEL TRIMS

Mini wheel trim



Wheel trim centre cap **74 85 120 660**

Maxi wheel trim **74 85 120 662**

Mini wheel trim **74 85 120 661**

Maxi wheel trim



WHEEL RIMS AND ANT-THEFT WHEEL RIMS

Anti-theft wheel rims



Provides total protection against wheel and tyre theft. Kit made up of 4 anti-theft nuts. High strength steel. Very high security, with a rotating ring mount to make the nut tamper-proof. Very high resistance to twisting, with plating to protect against any attempted theft. Only the owner's key supplied with the nuts will release the anti-theft system.

Anti-theft for alloy wheels - FWD **77 11 429 416**

Anti-theft for steel wheels - FWD **77 11 239 161**

Anti-theft for steel wheels - Single-wheel RWD **77 11 426 954**

Anti-theft for steel wheels - Twin-wheel RWD **77 11 426 955**

Wheel rims



16" Frenzy wheel rims **74 85 120 659**

LOAD SILL

Aluminium load sill



Aluminium load sill **82 01 725 913**

AFTER-SALES OPTIONAL EXTRAS

Your after-sales department offers multiple adaptations to perfect your Renault Trucks MASTER vehicle (depending on version).

EXAMPLE OPTIONAL EXTRAS AVAILABLE:

Addition of grab handle



PLEASE CONTACT YOUR RENAULT TRUCKS REPRESENTATIVE FOR FURTHER INFORMATION

List of custom options available for Renault Trucks Master:

- Addition of cruise control/speed limiter.
- Desynchronisation of front and rear opening elements (key 2 = 3 buttons).
- Synchronisation of front and rear opening elements (key 3 = 2 buttons).
- Synchronisation/desynchronisation of front doors.
- Logic modification of door opening switches.
- Deactivation of legislative speed restriction (90 km/h).
- Addition of customer imposed limited speed.
- Deactivation of ESP (electronic stability program).
- Addition of reversing camera on medianav radio.
- Configuration of instrument panel to include tachograph.
- Addition of on-board computer.
- Activation of one-push lift electric windows.
- Modification of direction indicator repeater power rating.
- Activation of daytime running lights.
- Modification of the tank capacity.
- Addition of fuel filter water sensor.
- Addition of grab handle.
- AEBS deactivation.